



### T III

T-III PROVIDES A SOBER YET WARM AND GOLDEN LIGHT POINT THAT FITS EVERY PLACE. SPECIALLY A DRESSING ROOM OR A BOUDOIR.

FEATURES: PENDANT CORD LAMP WITH BRASS SOCKET COVER, AND ONE LIGHT BULB. E27 SOCKET.

MATERIALS: HAND POLISHED BRASS FITTINGS, CERAMICS SOCKET AND YELLOW CLOTHED WIRE (1 METER). LIGHT BULB NOT INCLUDED.

DIMENSIONS: 10 X 11 X 17 CM.  
 MINIMUM HEIGHT 100 CM.  
 ADDITIONAL HEIGHT 2 € PER 5 CM.  
 PENDANT ROD LENGTH TO ORDER WITH MAXIMUM TOTAL DROP 200MM.

LEAD TIME: FOUR WEEKS.

#### CLEANING INSTRUCTIONS

BEFORE CLEANING, LIGHTING FIXTURES MUST BE TURNED OFF AND UNPLUGGED FROM MAIN ELECTRICITY. WHILST CLEANING THEM PLEASE BE EXTREMELY CAREFUL AND USE COTTON GLOVES.

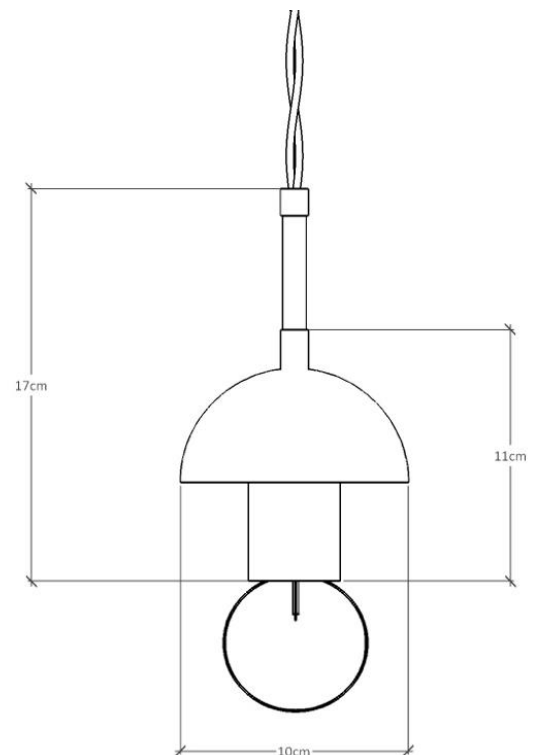
SATIN BRASS: USE THE SCOTCH BRITE PAD (SUPPLIED IN THE PRODUCT BOX) AND GENTLY RUB THE PAD IN THE DIRECTION OF THE GRAIN. REPEAT UNTIL THE NATURAL PATINA IS REMOVED. ON RUBBING THE SCOTCH BRITE TO THE BRASS, GRAINS WILL OCCUR. THE COLOUR OF THE PRODUCT WILL TEMPORARILY GET LIGHTER UNTIL IT RE-OXIDISES.

WOOD: USE A DRY SOFT DUST CLOTH OR FEATHER DUSTER.

THIS PRODUCT IS METICULOUSLY HANDMADE BY US ONE PIECE AT A TIME. IT IS THEREFORE QUITE DIFFICULT, IF NOT IMPOSSIBLE TO MAKE IDENTICAL ITEMS. ANY NATURAL BLEMISHES OR IRREGULARITIES SHOULD NOT BE MISCONSTRUED AS FLAWS. THESE ARE WHAT MAKE EACH HANDMADE PIECE CHARMING AND UNIQUE.

WE LOOK AT OXIDISATION AS PART OF A PROCESS THAT ADDS TO THE PATINA OF AN OBJECT, INCREASING BEAUTY WITH TIME.

ALL DESIGNS ARE PROTECTED UNDER COPYRIGHT LAW.  
 ALL LIGHT FIXTURES IN THIS CATALOGUE HAVE CE MARKING COMPLIANCE



# T - III



**INFO**  
T - III

**DESIGNERS - MAKERS**  
ANTOÑITO Y MANOLÍN.

**CLASS**  
I

**USE**  
I & II

**230V**

**CERTIFICATES** 

**WEIGHT**  
0,6 KG

**SOCKET**  
E27.

**ENERGY CLASS ADMITTED:**

